

Area Valve Box - ISO 7396-1 Specification

Area Valve Box

The device is intended to be installed in medical gas distribution systems to intercept the areas of healthcare facility floors, as required by the pipeline system design in accordance with ISO 7396-1, for maintenance and emergency purposes.

The device is normally intended to be installed downstream of line pressure regulators.

When used for emergency purposes, the device must be included in the emergency management plan of the healthcare facility.

The device comes in two versions: VERTICAL [V] and HORIZONTAL [H]. The V version is intended to be installed vertically inside its box, while the H version is intended to be installed horizontally.

Materials

All wetted parts (except seals and gaskets) shall be brass or copper. Copper pipe shall be manufactured from phosphorous de-oxidised non-arsenical copper to EN 1412:1996 grade CW024A, manufactured to metric outside diameters in accordance with EN 13348:2001R250 (half hard). Copper to copper joints shall be made using a silver-copper-phosphorous brazing alloy type CP1 or CP4 to BS 1845 using a dry, clean, oil and oxygen free nitrogen inert gas shield with no flux.



Gas Specific Connections

Before putting in service the device, it shall be identified by metal tag, stencilling, stamping or adhesive marker showing:

- process gas or vacuum (name or symbol);
- area intercepted.

The identification shall be secured to the device, to its box or to the inlet/outlet pipeline and shall be readily visible.

Local Alarm Pressure Switches

The area valve service unit shall normally accommodate local alarm pressure switches. Pressure switch connections shall incorporate minimum leak pressure switch connection ports. Wetted parts of pressure switches shall be manufactured from inherently corrosion proof materials. Plating or sacrificial protection on mild steel is not acceptable.



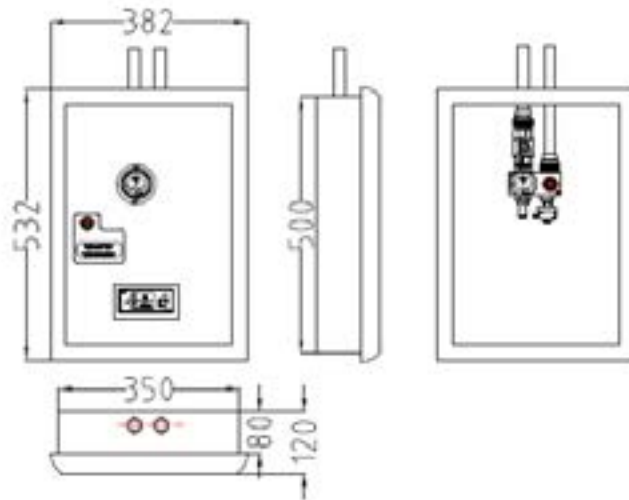
Area Valve Box - Without Alarm

	Part Number	Description
VERTICAL	8102370670	Area Valve Box, 1 gas - O2
	8102370671	Area Valve Box 1 gas - Air
	8102370672	Area Valve Box, 1 gas - Air for AGSS
	8102370673	Area Valve Box, 1 gas - N2O
	8102370674	Area Valve Box, 1 gas - CO2
	8102370675	Area Valve Box, 1 gas - Vacuum
	8102370676	Area Valve Box, 2 gases - O2 / Vacuum
	8102370677	Area Valve Box, 2 gases - Air for AGSS / CO2
	8102370678	Area Valve Box, 2 gases - O2 / Air
	8102370679	Area Valve Box, 2 gases - O2 / N2O
	8102370680	Area Valve Box, 2 gases - Air / N2O
	8102370681	Area Valve Box, 2 gases - Air / Vacuum
	8102370682	Area Valve Box 3 gases - O2 / Air / Vacuum
	8102370683	Area Valve Box, 3 gases - O2 / Air / N2O
	8102370684	Area Valve Box, 3 gases - O2 / Air / Air 800
	8102370685	Area Valve Box, 3 gases - O2 / N2O / Vac
8102370686	Area Valve Box, 3 gases - Air / N2O / Vac	
HORIZONTAL	8102370687	Area Valve Box, 4 gases - O2 / Air / Air 800 / Vacuum
	8102370688	Area Valve Box, 4 gases - O2 / Air / N2O / Vacuum
	8102370689	Area Valve Box, 4 gases - O2 / Air / N2O / CO2
	8102370690	Area Valve Box, 4 gases - O2 / Air / N2O / Air 800
	8102370691	Area Valve Box, 5 gases - O2 / Air / Air 800 / N2O / Vacuum
	8102370692	Area Valve Box, 5 gases - O2 / Air / Air 800 / Air for AGSS / Vacuum
	8102370693	Area Valve Box, 5 gases - O2 / Air / Air 800 / N2O / CO2
	8102370694	Area Valve Box, 5 gases - O2 / Air / N2O / CO2 / Vacuum
	8102370695	Area Valve Box, 6 gases - O2 / Air / Air 800 / N2O/ Air for AGSS / Vuoto
	8102370696	Area Valve Box, 6 gases - O2 / Air / Air 800 / N2O/ CO2 / Vacuum

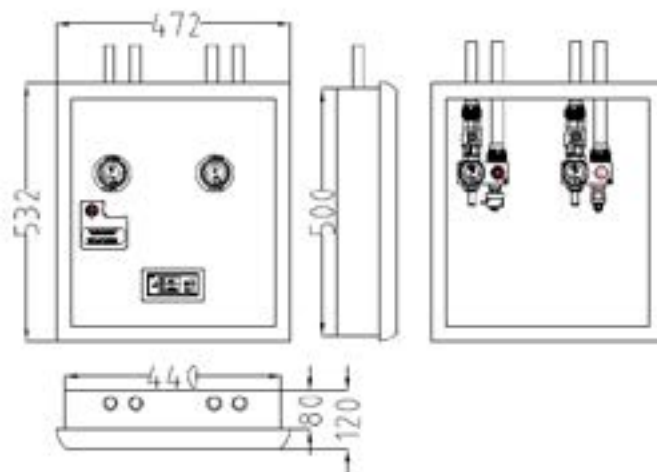
Area Valve Box - With Alarm

	Part Number	Description
VERTICAL	8102370697	Area Valve Box, 1 gas - O2 + Alarm
	8102370698	Area Valve Box, 1 gas - Air + Alarm
	8102370699	Area Valve Box, 1 gas - Air for AGSS + Alarm
	8102370700	Area Valve Box, 1 gas - N2O + Alarm
	8102370701	Area Valve Box, 1 gas - CO2 + Alarm
	8102370702	Area Valve Box, 1 gas - Vacuum + Alarm
	8102370703	Area Valve Box, 2 gas - O2 / Vacuum + Alarm
	8102370704	Area Valve Box, 2 gases - Air for AGSS / CO2 + Alarm
	8102370705	Area Valve Box, 2 gases - O2 / Air + Alarm
	8102370706	Area Valve Box, 2 gases - O2 / N2O + Alarm
	8102370707	Area Valve Box, 2 gases - Air / N2O + Alarm
	8102370708	Area Valve Box, 2 gases - Air / Vacuum + Alarm
	8102370709	Area Valve Box, 3 gases - O2 / Air / Vacuum + Alarm
	8102370710	Area Valve Box, 3 gases - O2 / Air / N2O + Alarm
	8102370711	Area Valve Box, 3 gases - O2 / Air / Air 800 + Alarm
HORIZONTAL	8102370712	Area Valve Box, 3 gases - O2 / N2O / Vac + Alarm
	8102370713	Area Valve Box, 3 gases - Air / N2O / Vac + Alarm
	8102370714	Area Valve Box, 4 gases - O2 / Air / Air 800 / Vacuum + Alarm
	8102370715	Area Valve Box, 4 gases - O2 / Air / N2O / Vacuum + Alarm
	8102370716	Area Valve Box, 4 gases - O2 / Air / N2O / CO2 + Alarm
	8102370717	Area Valve Box, 4 gases - O2 / Air / N2O / Air 800 + Alarm
	8102370718	Area Valve Box, 5 gases - O2 / Air / Air 800 / N2O / Vacuum + Alarm
	8102370719	Area Valve Box, 5 gases - O2 / Air / Air 800 / Air for AGSS / Vacuum + Alarm
	8102370720	Area Valve Box, 5 gases - O2 / Air / Air 800 / N2O / CO2 + Alarm
	8102370721	Area Valve Box, 5 gases - O2 / Air / N2O / CO2 / Vacuum + Alarm
	8102370722	Area Valve Box, 6 gases - O2 / Air / Air 800 / N2O / Air for AGSS / Vuoto + Alarm
	8102370723	Area Valve Box, 6 gases - O2 / Air / Air 800 / N2O / CO2 / Vacuum + Alarm

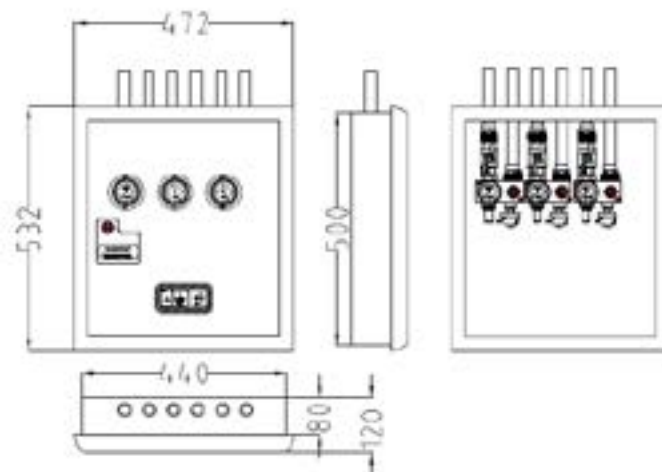
1 Gas Configuration



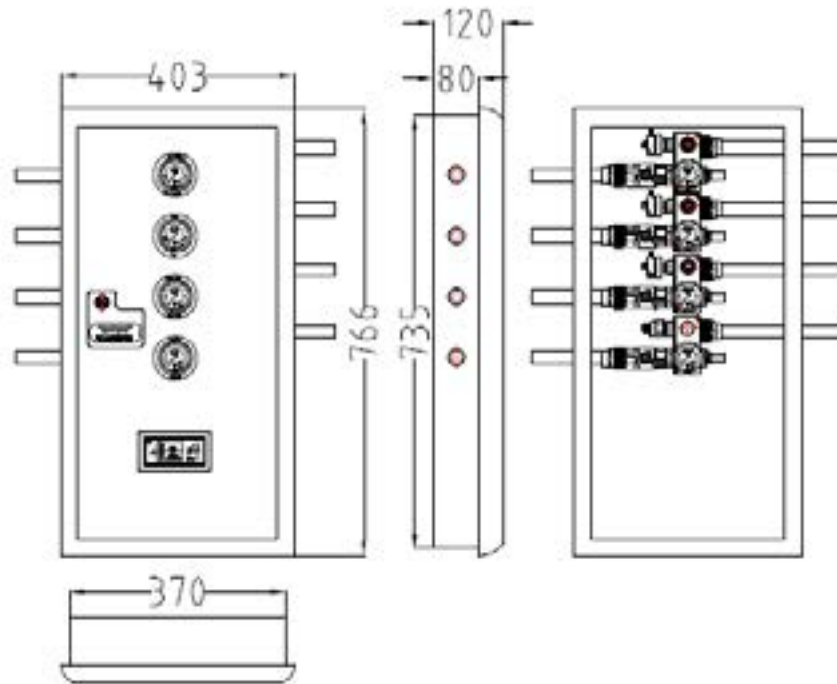
2 Gas Configuration



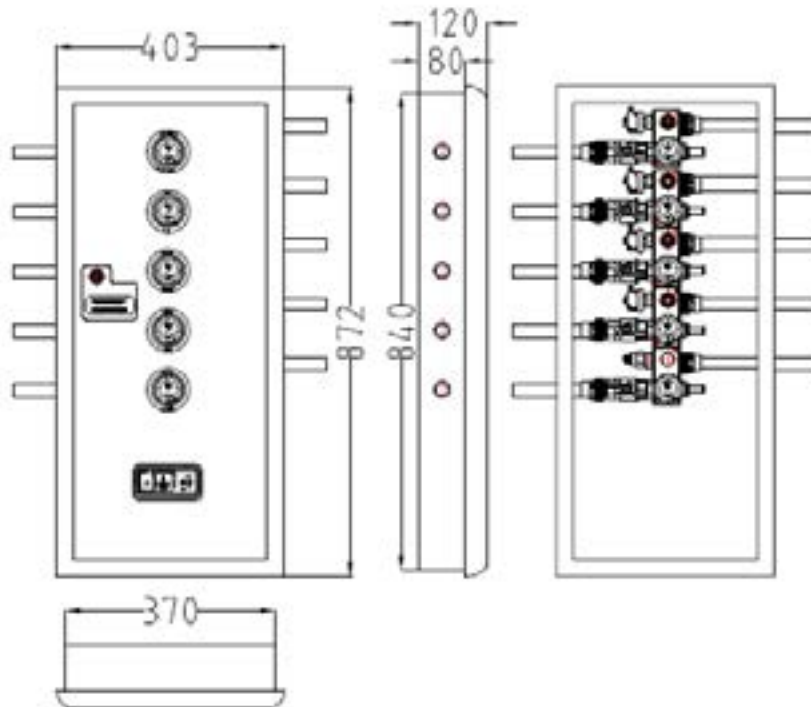
3 Gas Configuration



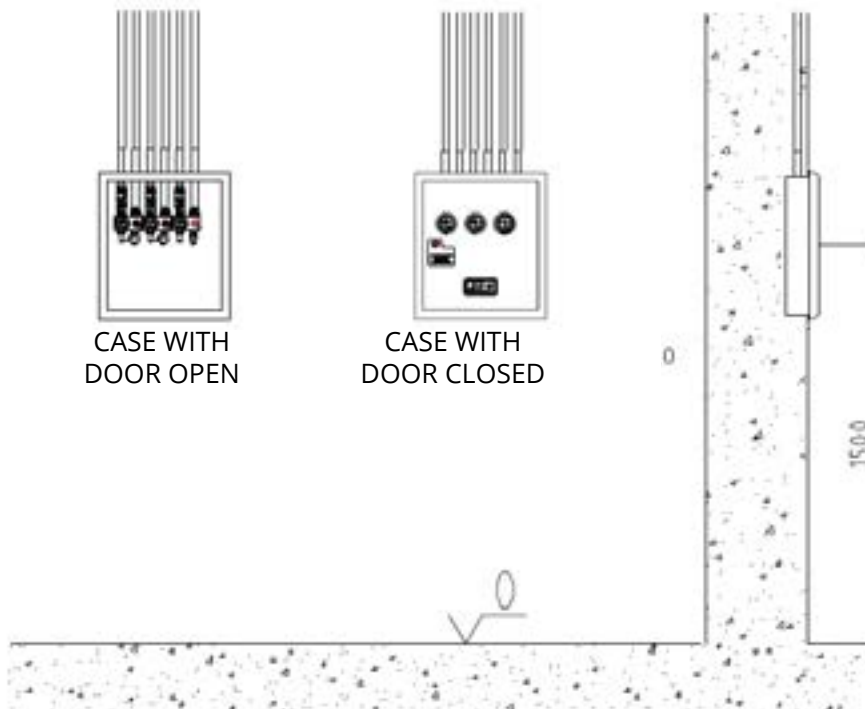
4 Gas Configuration



5 Gas Configuration



Typical Installation Scheme of Vertical Configuration Box (example shown is 3 gas)



Typical Installation Scheme of Horizontal Configuration Box (example shown is 4 gas)

